



Makita Werkzeug Ges.m.b.H.

Airportstr. 4, 2401 Fischamend

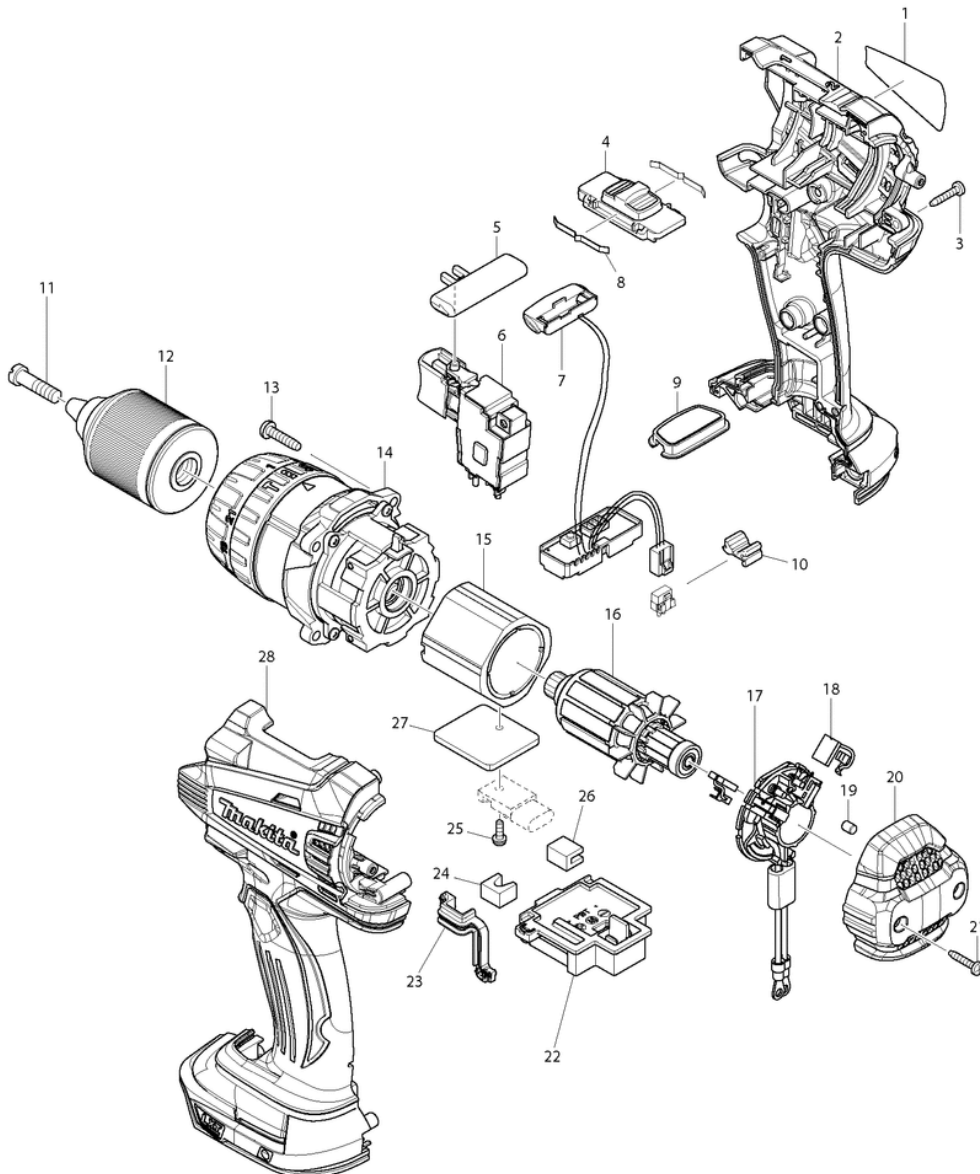
Tel: 02232 / 777 00

Fax: 02232 / 777 00 - 40

Mail: verkauf@makita.at

Web: www.makita.at

Makita Service Information / Model: DHP458





Makita Werkzeug Ges.m.b.H.

Airportstr. 4, 2401 Fischamend

Tel: 02232 / 777 00

Fax: 02232 / 777 00 - 40

Mail: verkauf@makita.at

Web: www.makita.at

Makita Service Information / Model: DHP458

POS	Bestell-Nr.	Artikelbeschreibung	Stk.	Stk.Preis
1	814Y76-9	DHP458 NAME PLATE	1	N/A
2	187430-3	Housing set	1	N/A
2	187930-3	HOUSING SET	1	N/A
2		*** INC. 28		N/A
2		*** INC. 28		N/A
3	266130-9	SKRUTKA SAMOREZNÁ BIND3X16	7	N/A
4	126100-9	SPEED CHANGE LEVER ASS'Y	1	N/A
5	419250-0	PREPÍNAČ BDF/BHP	1	N/A
6	650724-4	SCHALTER TG573FSB-3 BHP448D	1	N/A
7	620138-1	Led Circuit	1	N/A
8	232220-0	PRUŽINA PRÍTLAČNÁ 6319D/8414D-Serien	2	N/A
9	140963-9	Switch Plate complete	1	N/A
10	424476-1	CUSHION BHR242	1	N/A
11	251468-5	SKRUTKA M6x22 6261D	1	N/A
12	766015-4	KEYLESS DRILL CHUCK 13	1	N/A
13	265995-6	SKRUTKA SAMOREZNÁ 4x18	4	N/A
14	126099-8	GEAR ASS'Y	1	N/A
14	126448-9	GETRIEBE kpl BHP448D	1	N/A
14.2	126448-9	GETRIEBE kpl BHP448D	1	N/A
15	638989-8	YOKE UNIT	1	N/A
16	619301-1	ARMATURE	1	N/A
17	638991-1	BRUSH HOLDER COMPLETE	1	N/A
18	194427-5	UHLÍKY CB-440	1	N/A
19	263032-0	KOLÍK GUMENÝ	2	N/A
20	453394-6	REAR COVER	1	N/A
20	455146-1	REAR COVER	1	N/A
21	266130-9	SKRUTKA SAMOREZNÁ BIND3X16	2	N/A
22	644808-8	ANSCHLUSSKLEMME	1	N/A
23	424430-5	Seal	1	N/A
24	423422-1	SPONGE A	1	N/A
25	911013-5	PAN HEAD SCREW M3x10	1	N/A
26	423423-9	SPONGE B	1	N/A
27	689176-2	Heat Sink	1	N/A
28	187430-3	Housing set	1	N/A
28	187930-3	HOUSING SET	1	N/A
28		*** INC. 2		N/A
28		*** INC. 2		N/A
1001	123257-7	SEITLICHER GRIFF KPL.	1	N/A
1001	126131-8	GRIP ASSEMBLY	1	N/A
1001.2	123257-7	SEITLICHER GRIFF KPL.	1	N/A



Makita Werkzeug Ges.m.b.H.

Airportstr. 4, 2401 Fischamend

Tel: 02232 / 777 00

Fax: 02232 / 777 00 - 40

Mail: verkauf@makita.at

Web: www.makita.at

Makita Service Information / Model: DHP458

POS	Bestell-Nr.	Artikelbeschreibung	Stk.	Stk.Preis
1002	251314-2	SKRUTKA M4x12 LS0810/1013	2	N/A
1003	346317-0	HOOK	1	N/A
1004	452947-8	BIT HOLDER	1	N/A
1005	784637-8	+ - BIT 2-45	2	N/A
1006	122576-8	STOPPER POLE ASS'Y	1	N/A
1007	***DC18RC	DC18RC FAST CHARGER	1	N/A
1007	821550-0	CONNECTOR PLASTIC CASE (TYPE2)	1	N/A
1008	837679-2	INNER TRAY	1	N/A
1008	194204-5	BATTERY BL1830 SET	3	N/A
1008	196399-0	AKKU-MAGAZIN BL1840 18V 4,0Ah	2	N/A
1008	194204-5	BATTERY BL1830 SET	2	N/A
1008.2	837916-4	KOFFEREINSATZ BDF446RFJ-BDF459	1	N/A
1008.2	196399-0	AKKU-MAGAZIN BL1840 18V 4,0Ah	2	N/A
1008.2	194204-5	BATTERY BL1830 SET	2	N/A
1008.2	194204-5	BATTERY BL1830 SET	3	N/A
1009	450128-8	BATTERY COVER	1	N/A
1009	802J35-5	DHP458ZJ INDICATION LABEL	1	N/A
1009	450128-8	BATTERY COVER	2	N/A
1010	821524-1	PLASTIC CARRYING CASE	1	N/A
1010	123252-7	ALUMINUM CASE ASSEMBLY	1	N/A
1010	821550-0	CONNECTOR PLASTIC CASE (TYPE2)	1	N/A
1010	802J36-3	DHP458ZJ PLASTIC CASE LABEL	2	N/A
1011				N/A
1011	804W33-3	DHP458RMEW PLASTIC CASE LABEL	2	N/A
1011	D-30667	31PC.BIT SET SLEEVE BIT HOLDER	1	N/A
1011	837916-4	KOFFEREINSATZ BDF446RFJ-BDF459	1	N/A
1011	802J61-4	DHP458RFE3 PLASTIC CASE LABEL	2	N/A
1011	837679-2	INNER TRAY	1	N/A
1011	802J57-5	DHP458RFE PLASTIC CASE LABEL	2	N/A
1011.2	837916-4	KOFFEREINSATZ BDF446RFJ-BDF459	1	N/A
1012	802J33-9	DHP458RFJ INDICATION LABEL	1	N/A
1012	802J44-4	DHP458RMJ INDICATION LABEL	1	N/A
1012	802J48-6	DHP458RF3J INDICATION LABEL	1	N/A
1012	803R44-5	DHP458F3WJ INDICATION LABEL	1	N/A
1013	802J34-7	DHP458RFJ PLASTIC CASE LABEL	2	N/A
1013	802J45-2	DHP458RMJ PLASTIC CASE LABEL	2	N/A
1013	802J49-4	DHP458RF3J PLASTIC CASE LABEL	2	N/A
1013	803R45-3	DHP458F3WJ PLASTIC CASE LABEL	2	N/A